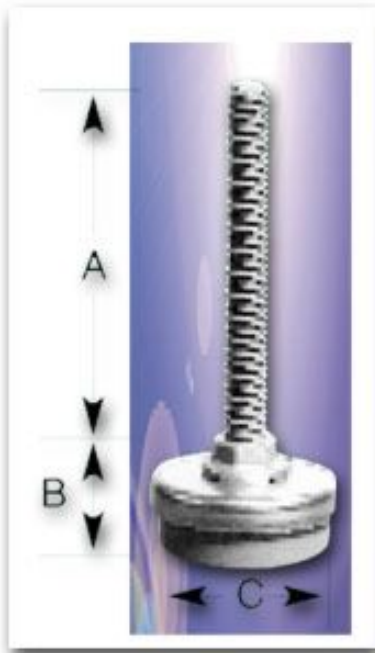


Accessories - Casters/Levelers Stem Levelers



Design Features

Stem levelers. Nickel-plated steel cap and stem; 3/8-16 thread. RL-7766, rubber base. RL-7767 nylon base. RL-7771 rubber base. RL-7766 and RL-7767 furnished with 2 height adjusting nuts. RL-7770 Leveler kit consists of two levelers and mounting brackets. Used on Economizer and Classic II Cabinet Racks.

[Click on Image for Larger View](#)

Stem Levelers					
Catalog No.	Drawing	A	B	C	Wgt. Ea. Lbs.
RL-7766	PDF DXF	3.00"	1.00"	1.62"	.20
RL-7767	PDF DXF	3.00"	.75"	1.62"	.20
RL-7771	PDF DXF	2.00"	.75"	1.62"	.10
RL-7770	PDF DXF	KIT			2.00

[DXF](#) Autocad DXF Specifications File
(Requires CAD software such as AutoCAD)

[PDF](#) Adobe PDF Specifications File



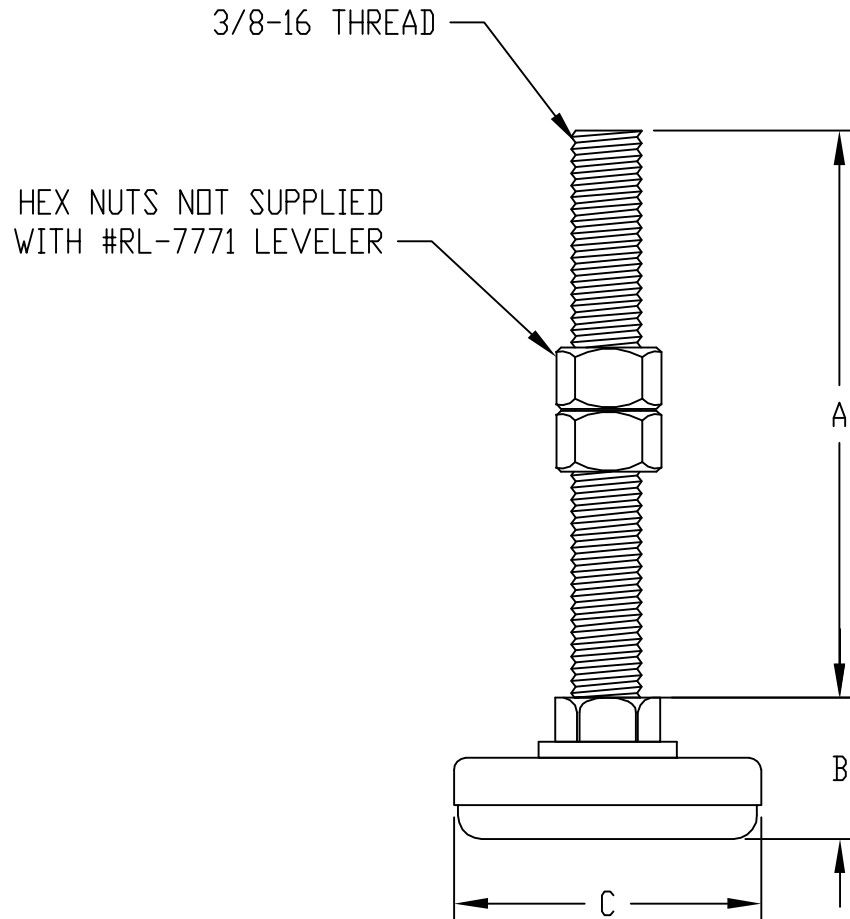
[Download PDF Viewer](#)

PART
NAME

STEM LEVELER

PART
No.

RL-7766, RL-7767, RL-7771



MATERIAL:

STEM & CAP, HEX NUTS _____ STEEL
 PAD _____ RUBBER (RL-7766)
 _____ NYLON (RL-7767)
 _____ RUBBER NON-SKID (RL-7771)

FINISH:

STEM & CAP _____ ZINC PLATE WITH
 _____ CLEAR CHROMATE
 HEX NUT _____ ZINC PLATE
 PAD _____ GREY (RL-7766 & RL-7771)
 _____ WHITE (RL-7767)

QTY. (2) HEX NUTS ARE SUPPLIED WITH
 #RL-7766 & #RL-7767 LEVELERS

PART No.	DIMENSION A	DIMENSION B	DIMENSION C	LOAD RATING
RL-7766	3.000	1.000	1.500	200 LBS.
RL-7767	3.000	0.750	1.625	200 LBS.
RL-7771	2.000	0.750	1.625	200 LBS.